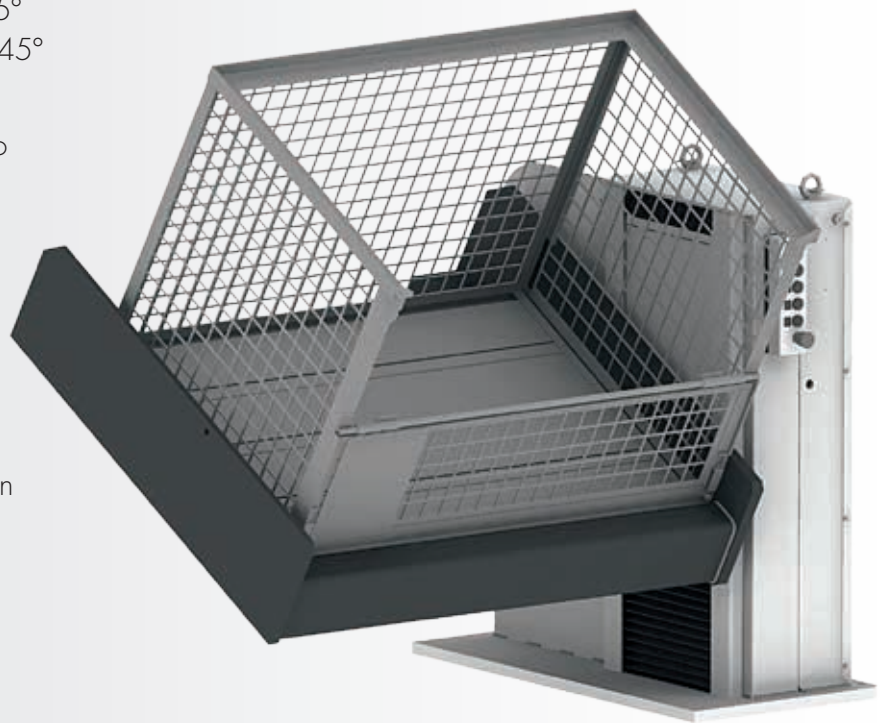




HNE 750–3000

Lifting and tilting equipment for pallet and large containers with electrohydraulic drive for a space-saving and proper use

- ▶ Especially suitable to take pallets and large containers.
- ▶ Tilt to 45° on one side (standard) or 2 x 45° as a special option (HNE 3000 only 1 x 45° possible).
- ▶ Load capacity, depending on model, up to 3,000 kg.
- ▶ Low-maintenance electrohydraulic drive.
- ▶ Stepless setting of the working height and tilt angle.
- ▶ All equipment can be loaded either from the front or side.
- ▶ Low-maintenance and trouble-free operation due to high-value and robust components



HNE 1000

i AREAS OF APPLICATION

- Lifting and tilting large load carriers
- Automobile and automobile supplier industries

TECHNICAL DATA

Equipment type	Load cap. (in kg)	Load handling (in mm)		Loading direction	Loading height (in mm)	Useful lift (in mm)	Tilt	Mobile possible
		BL	LL					
HNE 750	750	850/1.050	1.250	from the front	80/150	600	1 x 45°/2 x 45°	X
HNE 750 R/L	750	1.250	850/1.050	Side-loading (R/L)	150	600	1 x 45°	X
HNE 1000	1.000	850/1.050	1.250	from the front	80/150	600	1 x 45°/2 x 45°	X
HNE 1000 R/L	1.000	1.250	850/1.050	Side-loading (R/L)	150	600	1 x 45°	X
HNE 2000	2.000	850/1.050	1.250	from the front	80/150	600	1 x 45°/2 x 45°	X
HNE 2000 R/L	2.000	1.250	850/1.050	Side-loading (R/L)	150	600	1 x 45°	X
HNE 3000	3.000	850/1.050	1.250	from the front	150	600	1 x 45°	X
HNE 3000 R/L	3.000	1.250	850/1.050	Side-loading (R/L)	150	600	1 x 45°	X

Power: 400 V/50 Hz, 16 A, 5-pole. Paint: RAL 7035/7016



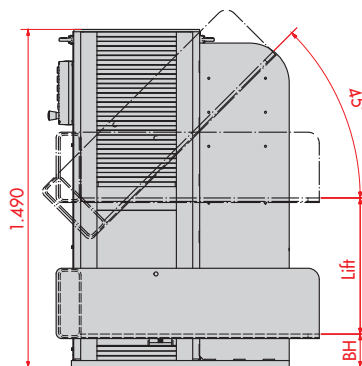
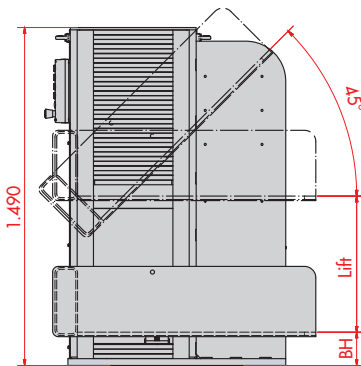
Contact and advice:

+49 7161 98442-0
verkauf@ventzki.de

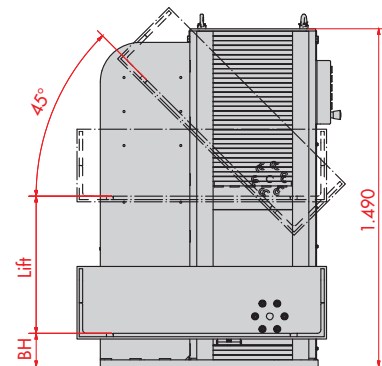
Or use our questionnaire at

www.ventzki.de/anfrage

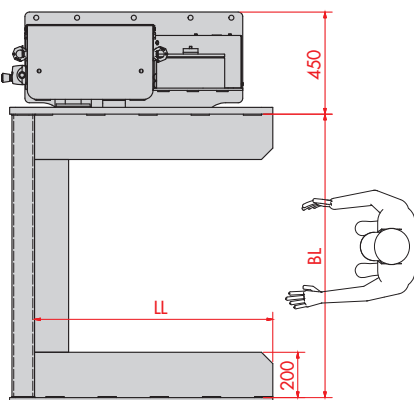
HNE 2000 (side loading)



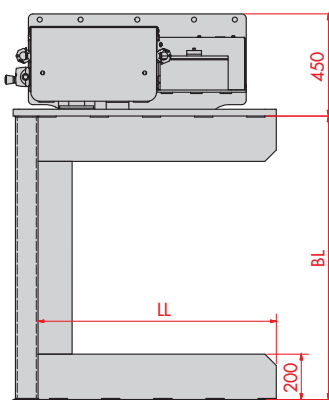
HNE 2000 (front loading)



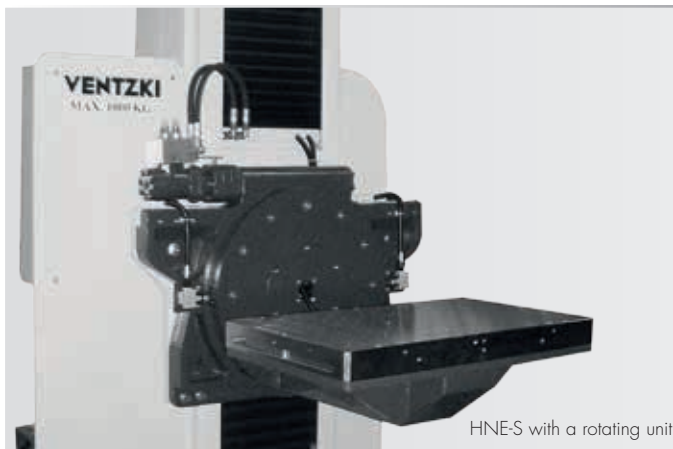
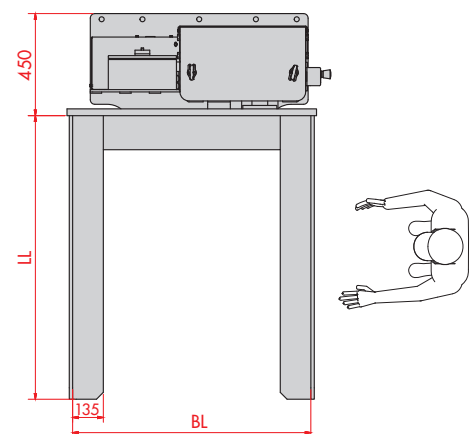
Left-handed design



Right-handed design



Right-handed design



HNE-S with a rotating unit

PRODUCT HIGHLIGHTS

- Stepless setting of the lift and Ventzki tilt position
- Complete load-carrying capacity in every lifting or tilting position
- Free access from three sides possible
- Equipment can be optionally obtained with a rotating unit

PRODUCT FILM

HNE 2000 at www.ventzki.de/produktfilme