



FFT flat form lifting tables

Flat form lifting tables with electrohydraulic drives with a load capacity of up to 2,000 kg for ergonomic loading and unloading

- ▶ A practical solution for ergonomic loading and unloading containers or pallets.
- ▶ Suitable for pallets and containers up to 2,000 kg.
- ▶ Electrohydraulic drive - can also be provided with a hydropneumatic drive.
- ▶ Low-maintenance and trouble-free operation thanks to high quality, robust components.
- ▶ Rotating platform available as an accessory. Special designs available.
- ▶ Container stops possible in accordance with customer specifications..



i AREAS OF APPLICATION

- Installation workplaces
- Shipping and goods receiving
- Compensation for height differences

TECHNICAL DATA

Equipment type	Load capacity (in kg)	Platform (in mm)		Design height (in mm)	Useful lift (in mm)	Lifting time (in seconds)	Mobile possible
		BL	LL				
FFT 0,5/60/90	500	600	900	80	630	9	X
FFT 0,6/90/150	600	900	1.500	80	720	13	X
FFT 0,6/90/150	600	900	1.500	80	970	19	X
FFT 1/80/135	1.000	800	1.350	80	820	13	X
FFT 1/100/135	1.000	1.000	1.350	80	820	13	X
FFT 1/127/135	1.000	1.270	1.350	80	820	19	X

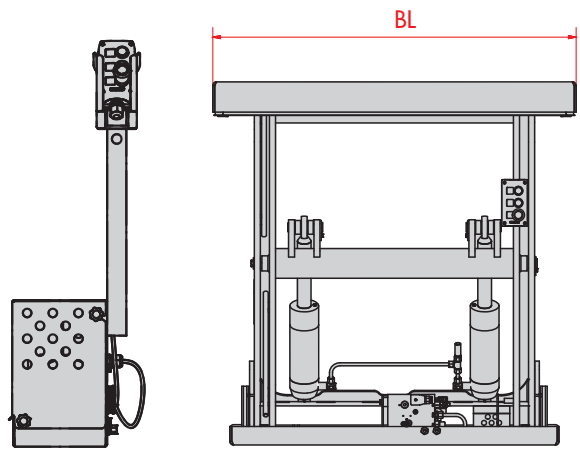
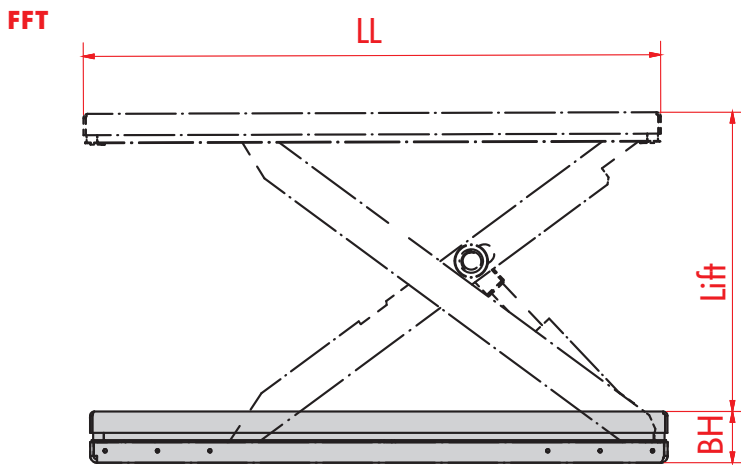


Contact and advice:

+49 7161 98442-0
verkauf@ventzki.de

Or use our questionnaire at

www.ventzki.de/anfrage



PRODUCT HIGHLIGHTS

- Surrounding safety contact strip
- Tube break valve in the cylinder
- Maintenance supports
- Load-independent power regulating valve
- Unit outside

PRODUCT FILM

FFT at www.ventzki.de/produktfilme

Equipment type	Load capacity (in kg)	Platform (in mm)		Design height (in mm)	Useful lift (in mm)	Lifting time (in seconds)	Mobile possible
		BL	LL				
FFT 2/80/135	2.000	800	1.350	100	820	24	X
FFT 2/100/135	2.000	1.000	1.350	100	820	24	X
FFT 2/127/135	2.000	1.270	1.350	100	820	24	X

Larger dimensions available on request. Power ratings: 400 V/50 Hz, 16 A, 5-pole. Paint: RAL 7035.