



NHE 350/360

Lifting and tilting equipment with electrohydraulic drive for pallets and large containers up to 2,000 kg with optimized freedom of entry

- ▶ Low-maintenance electrohydraulic drive.
- ▶ Maximum tilt angle 90° (NHE 350: standard 60°).
- ▶ Compact and space-saving design.
- ▶ Can also be used in tight spaces
- ▶ Side as well as front loading possible (NHE 350 with an integrated unit)
- ▶ Useful lift: 300 mm.
- ▶ NHE 360 with even smaller access values and separate hydraulic unit (NHE 350 with an integrated unit).
- ▶ Low-maintenance and trouble-free, free operation due to high-quality and robust components



NHE 360

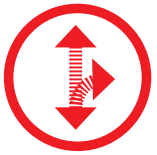
i AREAS OF APPLICATION

- Lifting and tilting heavy load carriers
- Automobile and automobile supplier industries

TECHNICAL DATA

Equipment type	Load cap. (in kg)	Load handling (in mm)		Loading direction	Loading height (in mm)	Useful lift (in mm)	Tilt	Mobile possible
		BL	LL					
NHE 350	1.500	1.250	850/1.050	from the front	150	300	60°	X
NHE 350 R/L	1.500	850/1.050	1.250	Side-loading (R/L)	150	300	60°	X
NHE 360	2.000	1.250	850/1.050	from the front	150	300	90°	X
NHE 360 R/L	2.000	850/1.050	1.250	Side-loading (R/L)	150	300	90°	X

Power: 400 V/50 Hz, 16 A, 5-pole. Paint: RAL 7035/7016



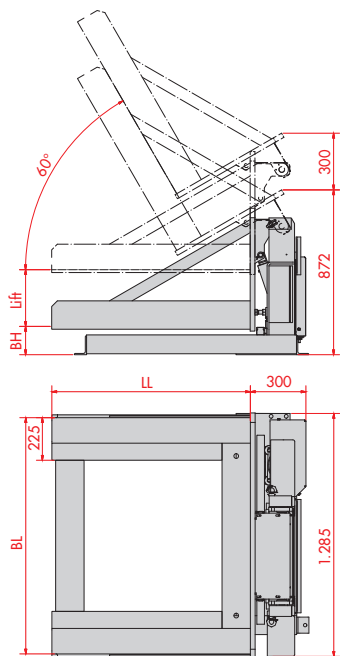
Contact and advice:

+49 7161 98442-0
verkauf@ventzki.de

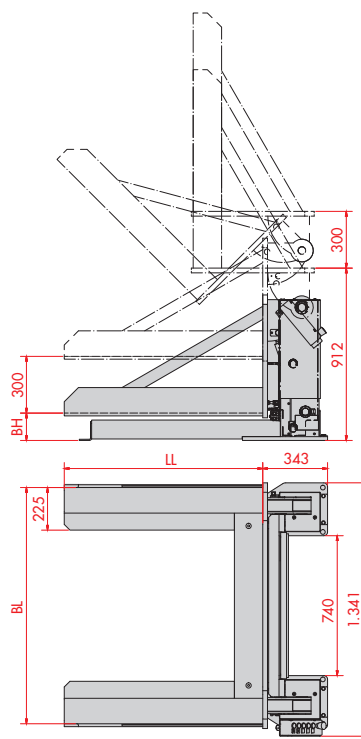
Or use our questionnaire at

www.ventzki.de/anfrage

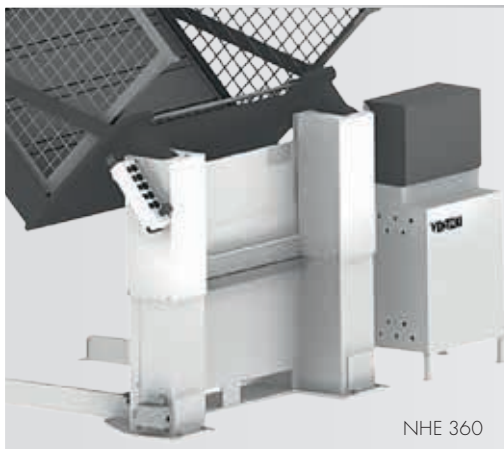
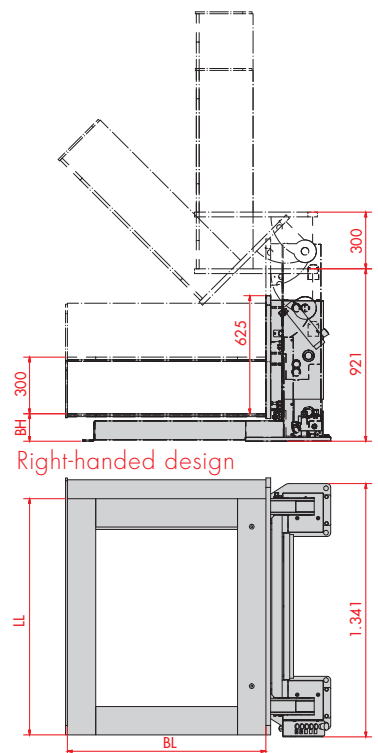
NHE 350



NHE 360 (front loading)



NHE 360 (side loading)



NHE 360

PRODUCT HIGHLIGHTS

- Stepless setting of the lifting and tilting position
- Complete load-carrying capacity in every lifting or tilting position
- Low space needs
- Optimized entry clearance
- Low access width

PRODUCT FILM

NHE 350 and NHE 360 at www.ventzki.de/produktfilme