



HP 300/500

Lifting equipment with pneumatic drive in stationary or mobile (with suspension) designs for up to 500 kg containers

- ▶ Suitable to carry small containers, carts, floor rollers and grating baskets.
- ▶ Load capacity, depending on model, from 300 to 500 kg.
- ▶ Suspension consists of two steering rollers, including brake and one caster for individual and flexible uses.
- ▶ Pneumatic drive meeting the latest safety requirements
- ▶ Valve equipment prevents the carrier dropping if there is a break in the line
- ▶ Stepless adjustment to the desired ergonomic working height.
- ▶ Stationary equipment with side loading available.
- ▶ Low-maintenance and trouble-free operation thanks to high quality, robust components.

i AREAS OF APPLICATION

- **Automobile and automobile supplier industries**
- **Positioning KLT's over floor rollers at the workplace**



HP 500

TECHNICAL DATA

Equipment type	Load capacity (in kg)	Load handling (in mm)		Loading direction	Loading height (in mm)	Useful lift (in mm)	Own weight (in kg)	Mobile possible
		BL	LL					
HP 300	300	450	550	from the front	120	750	150	✓
HP 300 R/L	300	450	550	Side-loading (R/L)	120	750	140	✗
HP 500	500	450	550	from the front	120	750	180	✓
HP 500 R/L	500	450	550	Side-loading (R/L)	120	750	170	✗

Connection: Compressed air 6 bar, Paint: RAL 7035/7016



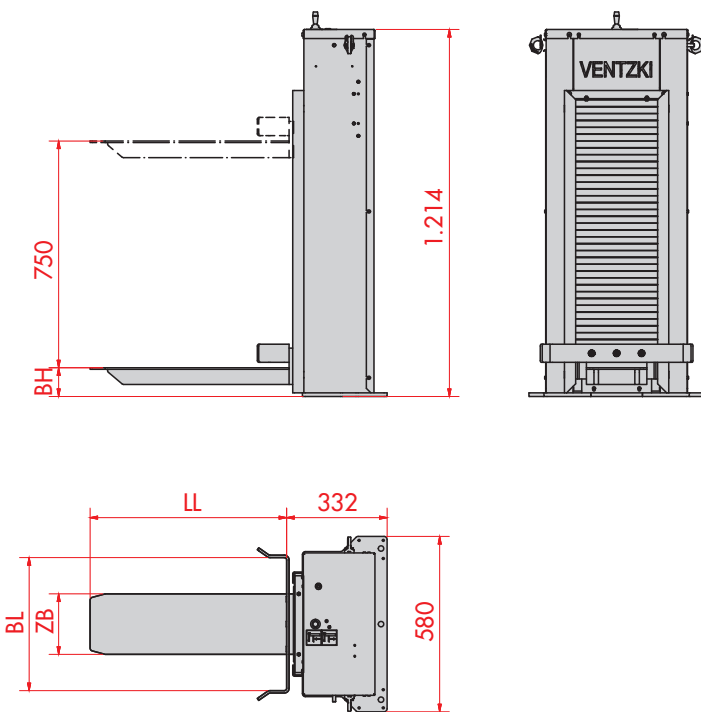
Contact and advice:

+49 7161 98442-0
verkauf@ventzki.de

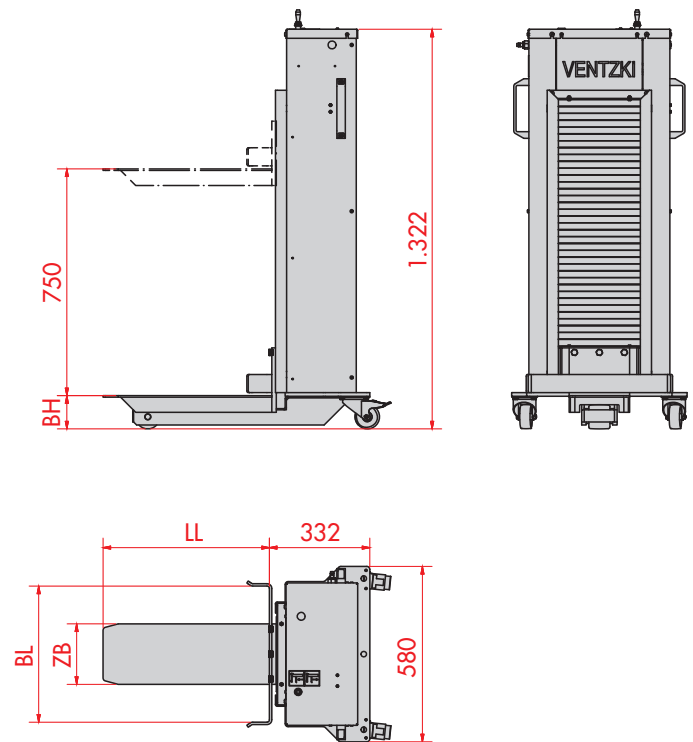
Or use our questionnaire at

www.ventzki.de/anfrage

HP 300/500 (stationary)



HP 300/500 (mobile)



HP 500

PRODUCT HIGHLIGHTS

- Mobile with two steering rollers with a brake and a caster
- Narrow design
- Simple operation with a lever
- Bellows cover on the lifting column