

HM 990

Mobile lifting equipment without energy supplies, can be used with containers up to 200 kg

- ▶ Suitable for small containers such as KLT boxes and other load carriers.
- ▶ Automatic-mechanical drive system: can be set steplessly with a crank - independent of any outside energy source.
- ▶ Weight-dependent height regulation.
- ▶ With steering and fixed rollers, casters with brakes.
- ▶ Ergonomically-shaped handles for easy transport to where it is used.
- ▶ Removable border strips on the platform to secure containers.
- ▶ Low-maintenance and trouble-free operation thanks to high quality, robust components.

i AREAS OF APPLICATION

- Handling KLT containers in production and assembly
- Automobile and automobile supplier industries

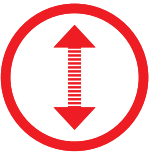


HM 990

TECHNICAL DATA

Equipment type	Load capacity (in kg)	Platform (in mm)		Loading height (in mm)	Lift (in mm)	Own weight (in kg)	Mobile possible
		BL	LL				
HM 990	150	610	450	890	540	92	✓
HM 990	200	610	450	940	540	100	✓

Paint: RAL 7035/7016



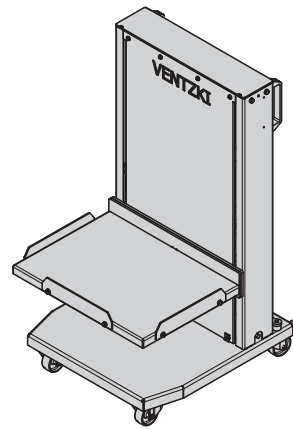
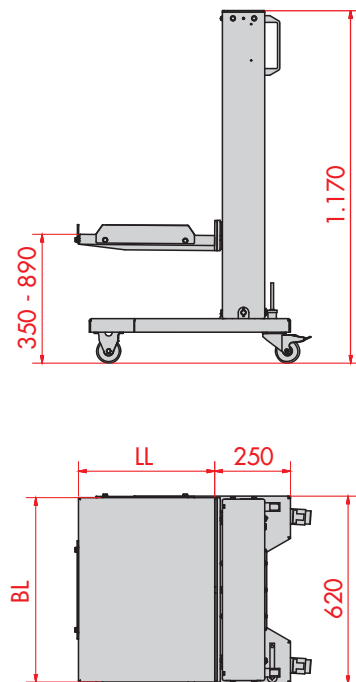
Contact and advice:

+49 7161 98442-0
verkauf@ventzki.de

Or use our questionnaire at

www.ventzki.de/anfrage

HM 990



HM 990

☀️ PRODUCT HIGHLIGHTS

- Crank on the setting spindle to setspring force
- Can be used without an energy supply
- Mobile with steering and fixed rollers, casters with brakes