



# HE-LP 100

Mobile lifting equipment with electric motor drive (battery) for energy-independent use for containers up to 100 kg

- ▶ Suitable to transport small load carriers.
- ▶ Load receptacle with an MDF wood panel.
- ▶ Four steering rollers, of which two with brakes.
- ▶ Operate with a hand lever.
- ▶ Useful lift: 1,250 and 1,700 mm.
- ▶ Special load receptacles available (Zinc load carriers, load mandrels).
- ▶ LED load display
- ▶ Low-maintenance and trouble-free operation thanks to high quality, robust components.
- ▶ 230V charging device included with delivery.

## **i** AREAS OF APPLICATION

- Production and warehouse
- Pharmaceutical industry
- Foodstuff industry
- Vehicle industry



HE-LP 100

## TECHNICAL DATA

Equipment type	Load capacity (in kg)	Platform (in mm)		Loading height (in mm)	Total height (in mm)	Tilt (in mm)	Mobile possible
		BL	LL				
<b>HE-LP 100</b>	100	450	400	150	1.650	1.250	✓
<b>HE-LP 100</b>	100	450	400	150	2.050	1.700	✓

Paint: RAL 7035



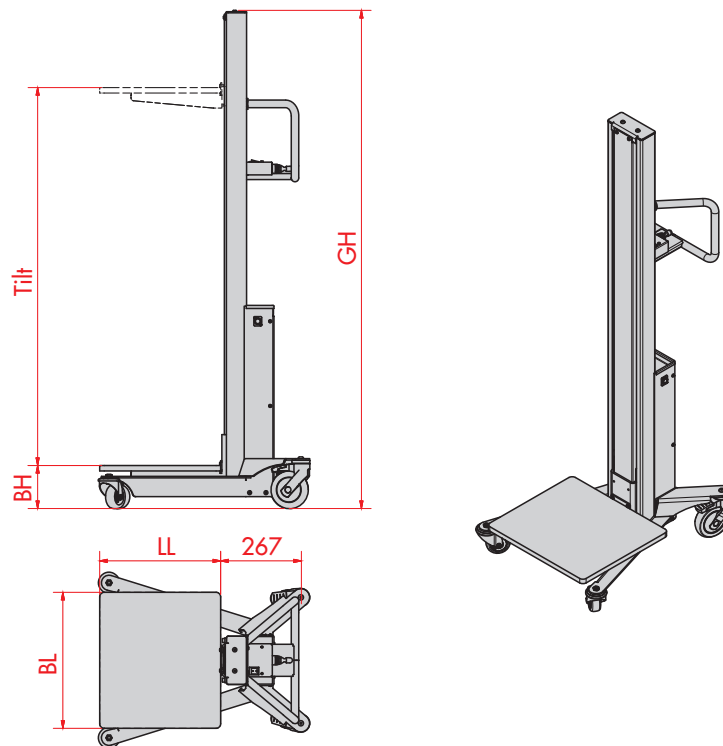
Contact and advice:

**+49 7161 98442-0**  
**verkauf@ventzki.de**

Or use our questionnaire at

**www.ventzki.de/anfrage**

## HE-LP 100



### ★ PRODUCT HIGHLIGHTS

- Mobile with four steering rollers two with brakes
- Energy-independent, battery-operated
- Low empty weight