



HE-EP 200–1000

Lifting equipment with electric motor drive for energy-efficient use with containers up to 1,000 kg

- ▶ Lifting equipment with 230V power or 24V rechargeable battery (load capacity up to 500 kg).
- ▶ Suitable to carry small containers, carts, floor rollers and grating baskets.
- ▶ Load capacity depending upon model: 200 to 1,000 kg.
- ▶ Stepless adjustment to the desired ergonomic working height
- ▶ Can be provided as a mobile or partially mobile design (with load capacities up to 500 kg) and stationary design.
- ▶ Automatic operation using height sensors as optional equipment.
- ▶ Low-maintenance and trouble-free operation thanks to high quality, robust components

i AREAS OF APPLICATION

- **Automobile and automobile supplier industries**
- **Positioning KLT's over floor rollers at the workplace**



TECHNICAL DATA

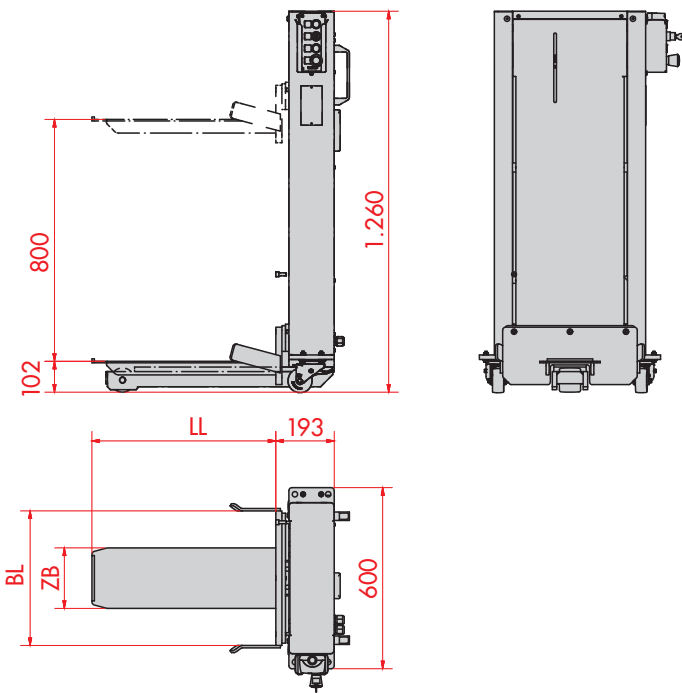
Equipment type	Load capacity (in kg)	Load handling (in mm)		Load direction	Loading height (in mm)	Useful lift (in mm)	Power	Mobile possible
		BL	LL					
HE-EP 200	200	430	620	from the front	120	800	230 V or battery	✓
HE-EP 200 R/L	200	430	620	Side-loading (R/L)	120	800	230 V or battery	✗
HE-EP 300	300	430	620	from the front	120	800	230 V or battery	✓
HE-EP 300 R/L	300	430	620	Side-loading (R/L)	120	800	230 V or battery	✗
HE-EP 500	500	430	620	from the front	120	800	230 V or battery	✓
HE-EP 500 R/L	500	430	620	Side-loading (R/L)	120	800	230 V or battery	✗



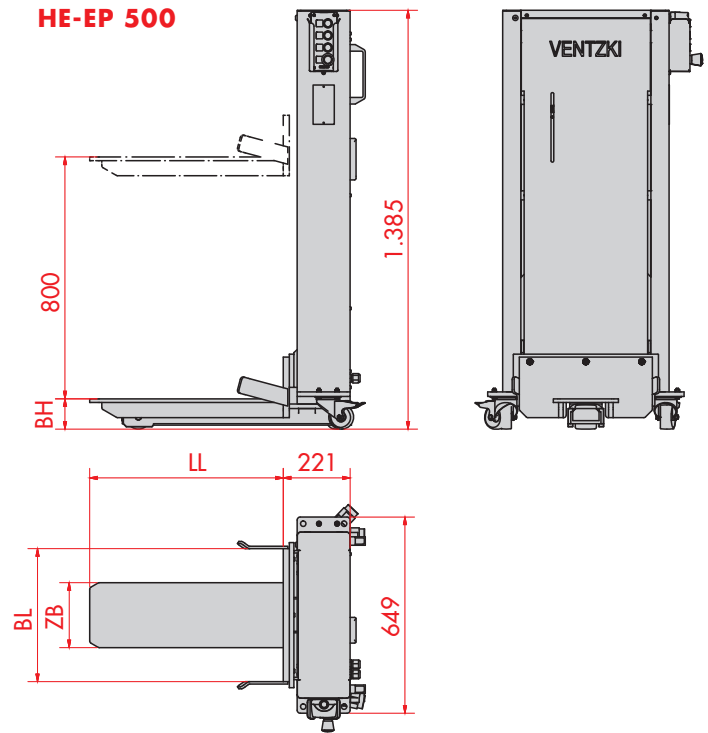
Contact and advice:
+49 7161 98442-0
verkauf@ventzki.de

Or use our questionnaire at
www.ventzki.de/anfrage

HE-EP 200/300



HE-EP 500



PRODUCT HIGHLIGHTS

- Narrow design
- Partially mobile design
- Load carrying special materials available

PRODUCT FILM

HE-EP 200 and HE-EP 500 at
www.ventzki.de/produktfilme

Equipment type	Load capacity (in kg)	Load handling (in mm)		Loading direction	Loading height (in mm)	Useful lift (in mm)	Power	Mobile possible
		BL	LL					
HE-EP 750	750	640	1.050	from the front	150	800	230 V	X
HE-EP 750 R/L	750	640	1.050	Side-loading (R/L) (R/L)	150	800	230 V	X
HE-EP 1000	1.000	640	1.050	from the front	150	800	230 V	X
HE-EP 1000 R/L	1.000	640	1.050	Side-loading (R/L) (R/L)	150	800	230 V	X

Paint: RAL 7035/7016