



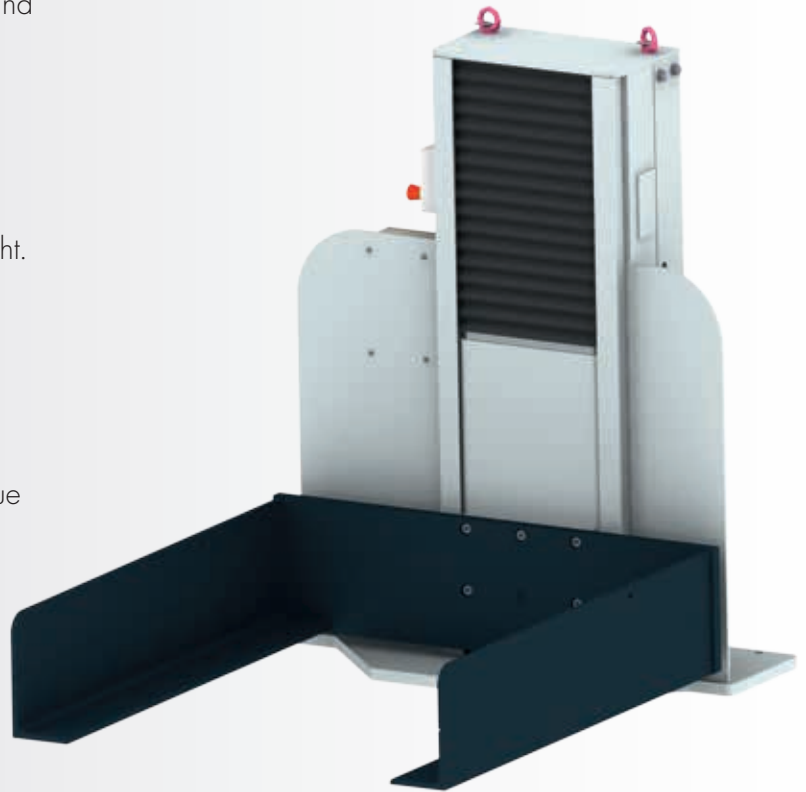
HE 1000/2000/3000

Lifting equipment with electrohydraulic drive for heavy loaders and containers up to 3,000 kg

- ▶ Especially suitable for carrying pallets and large containers.
- ▶ Load capacity depending upon model, up to 3,000 kg.
- ▶ Low-maintenance electrohydraulic drive.
- ▶ Stepless setting to the ergonomic working height.
- ▶ Available in stationary design
- ▶ Optional with turning or special platforms and lighted buttons for position queries (special equipment).
- ▶ Low-maintenance and trouble-free operation due to high-quality, robust components.
- ▶ Safety contact strips available as an option

i AREAS OF APPLICATION

- Lift large load carriers in the automobile industry
- Manual workplaces
- Installation workplaces



HE 1000

TECHNICAL DATA

Equipment type	Load capacity (in kg)	Load handling (in mm)		Loading direction	Loading height (in mm)	Useful lift (in mm)	Mobile possible
		BL	LL				
HE 1000	1.000	850/1.050	1.250	from the front	80/150	600	X
HE 1000 R/L	1.000	1.250	850/1.050	Side-loading (R/L)	150	600	X
HE 2000	2.000	850/1.050	1.250	from the front	80/150	600	X
HE 2000 R/L	2.000	1.250	850/1.050	Side-loading (R/L)	150	600	X
HE 3000	3.000	850/1.050	1.250	from the front	80/150	600	X
HE 3000 R/L	3.000	1.250	850/1.050	Side-loading (R/L)	150	600	X

Power: 400 V/50 Hz, 16 A, 5-pole. Paint: RAL 7035/7016



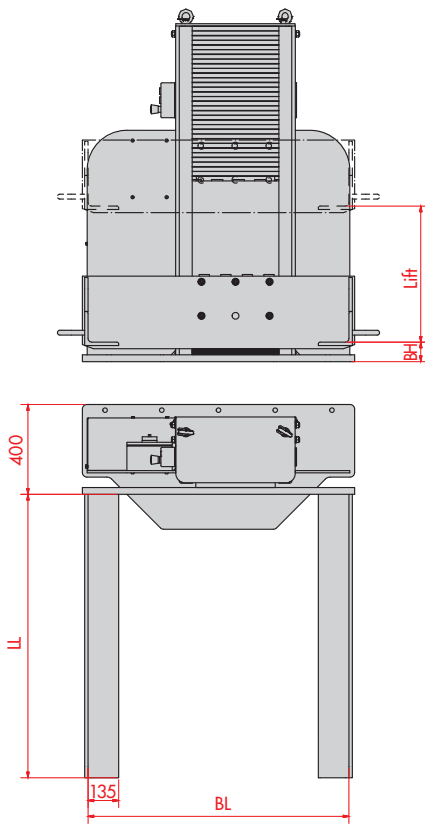
Contact and advice:

+49 7161 98442-0
verkauf@ventzki.de

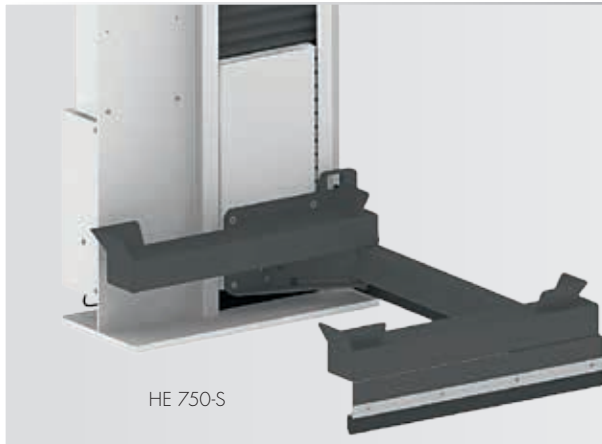
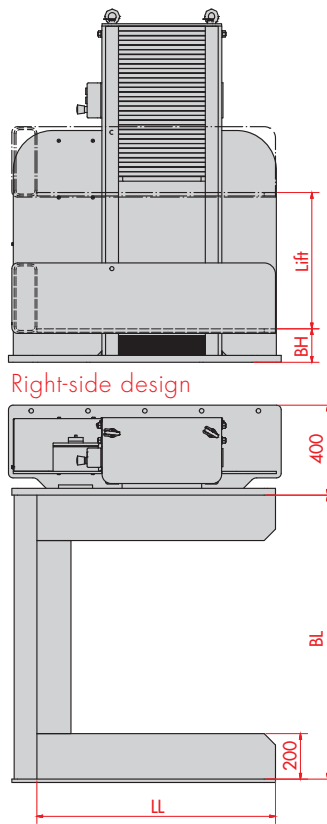
Or use our questionnaire at

www.ventzki.de/anfrage

HE 1000 (front loader)



HE 1000 (side loader)



PRODUCT HIGHLIGHTS

- Load carrying devices can be adapted to customer's needs
- Compact design
- Stepless, adjustable using a dead-man switch